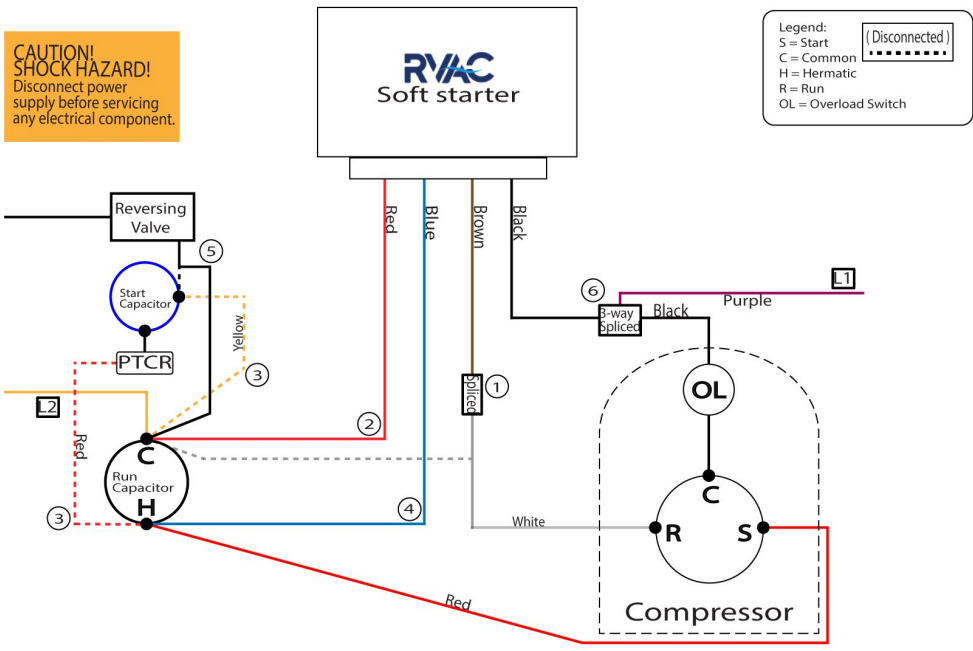


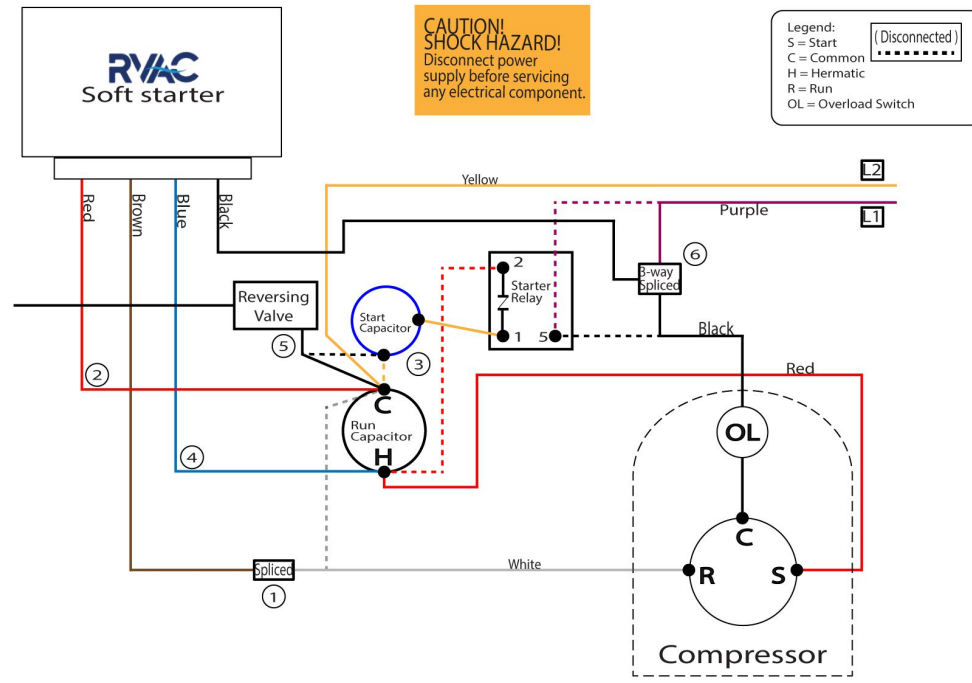
# Coleman Mach 1, 3, 3+, 10, 15

**CAUTION! SHOCK HAZARD!**  
Disconnect power supply before servicing any electrical component.



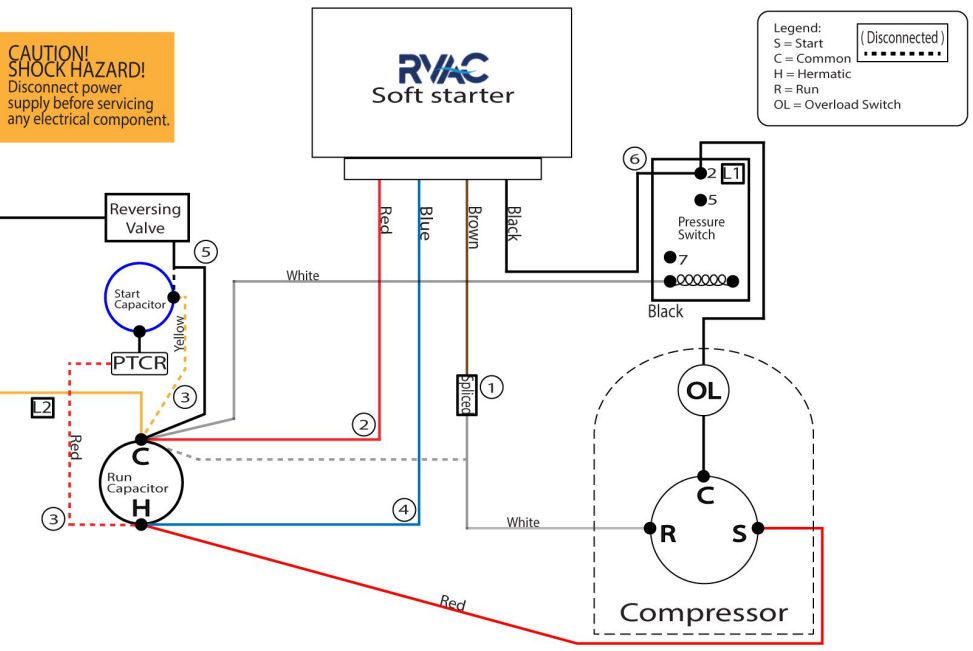
# Coleman Mach 1, 3, 3+, 10, 15 (w/ Relay)

**CAUTION! SHOCK HAZARD!**  
Disconnect power supply before servicing any electrical component.



# Coleman Mach 1, 3, 3+, 10, 15 (w/ Pressure Switch)

**CAUTION! SHOCK HAZARD!**  
Disconnect power supply before servicing any electrical component.



# Coleman Mach 1, 3, 3+, 10, 15 (w/ Outdoor Temp Control Board)

**CAUTION! SHOCK HAZARD!**  
Disconnect power supply before servicing any electrical component.

